

TECHNICAL SPECIFICATIONS

Supply

Voltage.....85~300VAC/DC

Frequency45~65 Hz

Measurement Inputs

Voltage10~300 V RMS (L-N)

Current.....0.05~5.5ARMS

Frequency45~65 Hz

Measurement Accuracy : ±1 digit

Power Consumption: ≤ 6 VA

Relay Outputs : 2 pcs(option)

Max. switching current: 10A

Max. switching voltage: 250V AC

Max. switching power: 1250VA

Connection Type

3 phase 4 wire (star)

3 phase 3 wire (delta)

Operate Temperature

-20°C...+70°C

Storage Temperature

-30°C...+80°C

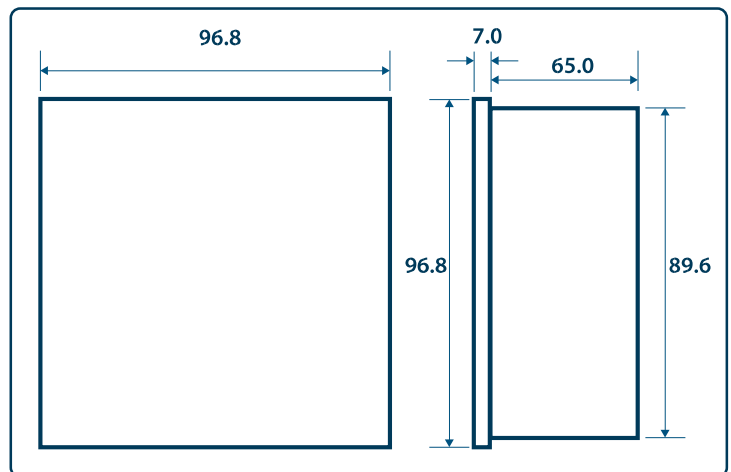
Relative Humidity :

Max. 90%

Protection Clas : IP40



DIMENSIONS (mm)



CONNECTION TYPES

Star Connection (with neutral)

Delta Connection (no neutral)

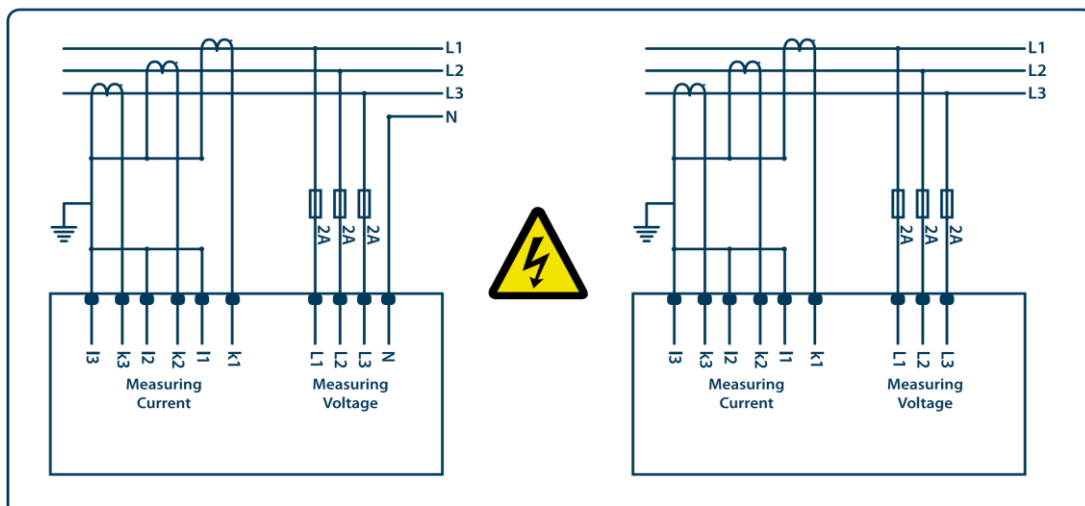


Figure 1



FACTORY SETTINGS

Parameter	Default value	Unit	Range
Basic settings			
Current transformer ratio(Ctr)	1	-	1-5000
Voltage transformer ratio (Utr)	1.0	-	0.1-5000.0
Connection type(Con)	StA	-	StA/dEL
Alarm settings			
Voltage (L-N) high limit(H U) / low limit(L U)	0.0	V	0.0-1500000.0
Voltage (L-N) hysteresis (h U)	5.0	V	0.0-1500000.0
Voltage (L-L) high limit (HUL) / low limit (LUL)	0.0	V	0.0-2600000.0
Voltage (L-L) hysteresis (hUL)	5.0	V	0.0-2600000.0
Current high limit(H I) / low limit (L I)	0.0	A	0.0-27500.0
Current hysteresis (h L)	0.1	A	0.0-27500.0
Neutral current high limit (HIn)	0.0	A	0.0-27500.0
Neutral current hysteresis (hIn)	0.1	A	0.0-27500.0
CosØ high limit (Hco.) / low limit (Lco.)	0.00	A	0.00-1.00
CosØ hysteresis (hco.)	0.01	A	0.00-1.00
Frequency high limit (H F) / low limit (L F)	50.0	Hz	45.0-65.0
Frequency hysteresis	2.0	Hz	45.0-65.0
Alarm delay ("t U", "tUL", "t I", "tIn", "tco." and "t F")	5	sec	0-60
Settings of alarm relays (option)			
Relay1	Off	-	Off/HI/LO
Relay2	Off	-	Off/HI/LO
Demand setting			
Demand period	15	min	1-60
Password settings			
Activating password (Act)	No	-	NO/YES
Change (CHg)	1	-	1-9999
Password delay (P t)	1	min	1-60
Clear page			
Clear	Off	-	Refer to "CLr" page.